



CLA37 FREQUENCY-SHADED COLUMN LOUDSPEAKER

THAT WAS THEN. THIS IS EAW.

www.eaw.com

FEATURES

- Frequency-shaded, full range, column loudspeaker
- Seven high quality 3 inch drivers
- 120° H x 30° V nominal HF beamwidth
- Passive crossover for economical, single amplifier operation
- Optional 70 V / 100 V multi-tap transformer
- Includes mounting/suspension bracket

DESCRIPTION

The CLA37 is an economical solution for exceptional fidelity in speech reinforcement and background music applications. It is especially suited for small to mid-sized spaces with excessive reverberation or problematic sound reflections. The drivers and system voicing are designed to maximize vocal range clarity and speech intelligibility without compromising the broadband frequency response required for pleasing music reproduction.

The CLA37 uses sophisticated, frequency shading to progressively shorten its acoustic length with increasing frequency. The result is a well-behaved nominal vertical beamwidth of 30° to below 1 kHz that eliminates troublesome lobing. In the horizontal plane, the drivers act as direct radiators. A waveguide loads the three center drivers to maintain the nominal 120° beamwidth at high frequencies.

The included bracket allows setting the enclosure's vertical angle for both wall-mounting and suspension. An optional input panel is fitted with an integral transformer for 70 V or 100 V distributed applications. The cross-ply laminated birch enclosure is available in either black or white finish and the powder coated steel grille is foam-backed to hide the drivers from view. The entire loudspeaker is fully tested at the time of manufacture and is warranted to be free from defects in materials and workmanship for a period of five years from the date of purchase.



APPLICATIONS

- Houses of Worship
- Museums
- Schools
- Distributed Systems
- Transportation Terminals
- Theme Parks
- Meeting Rooms
- Retail

SPECIFICATIONS

PRODUCT DATA

Model Name	CLA37
Part Number	Black: 0010182 White: 0011345
File creation date	7/02/2004

SPECIFICATION SHEET TABULAR DATA:

Descriptive Data			
	Ways	Type	Mode
	N/A	Full-Range	Single Amp

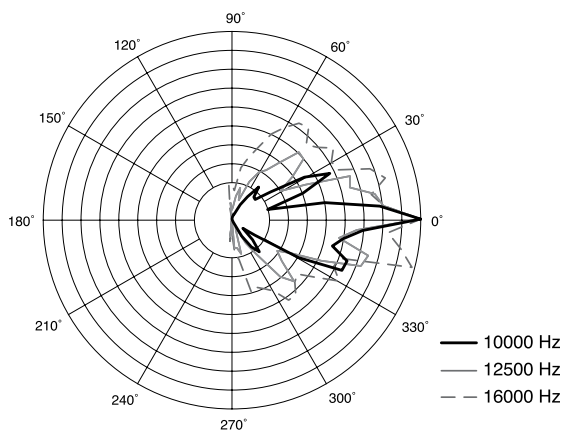
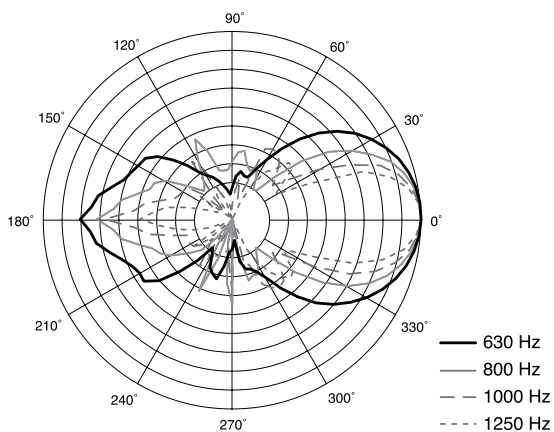
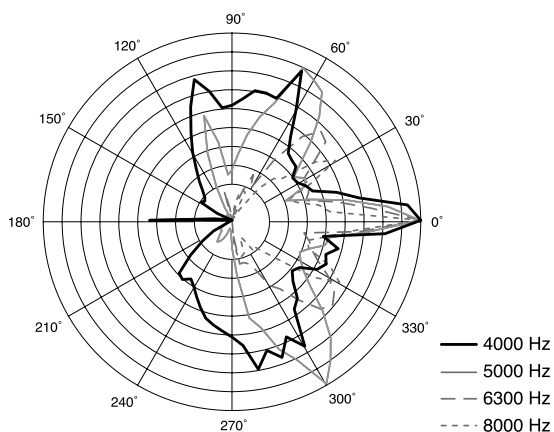
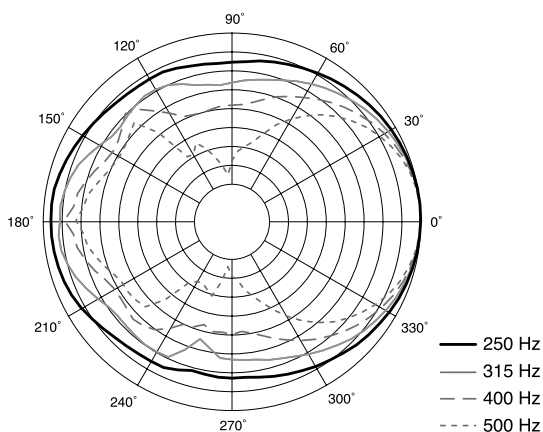
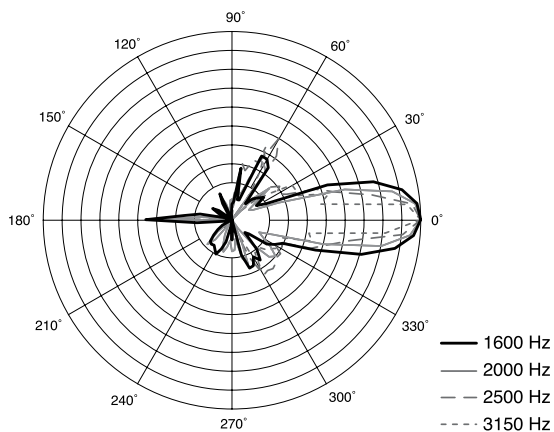
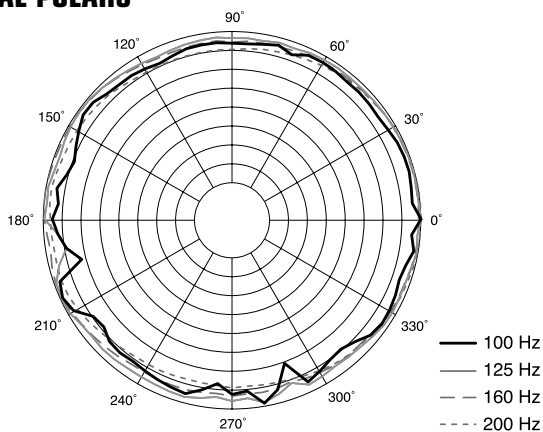
CONFIGURATION

Subsystem	Transducer	Loading
	LF	7x3 in cone — Sealed

PERFORMANCE

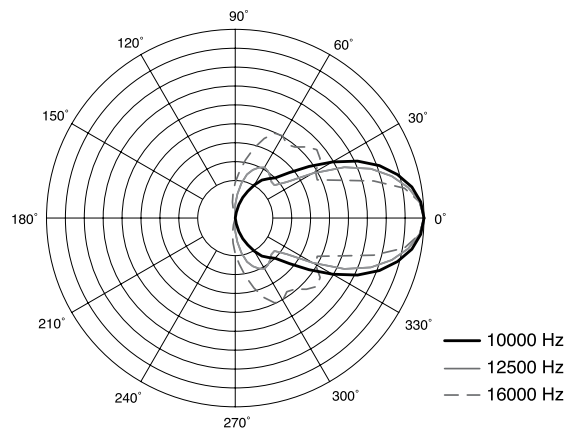
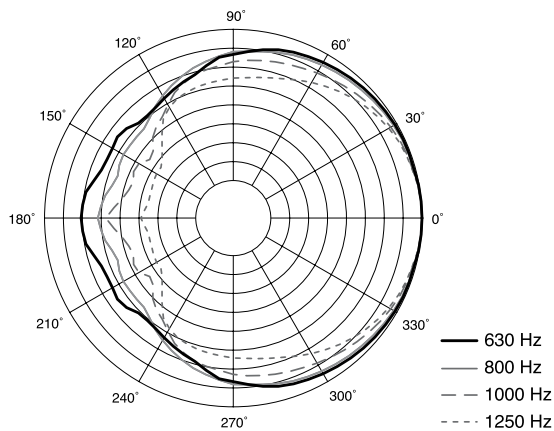
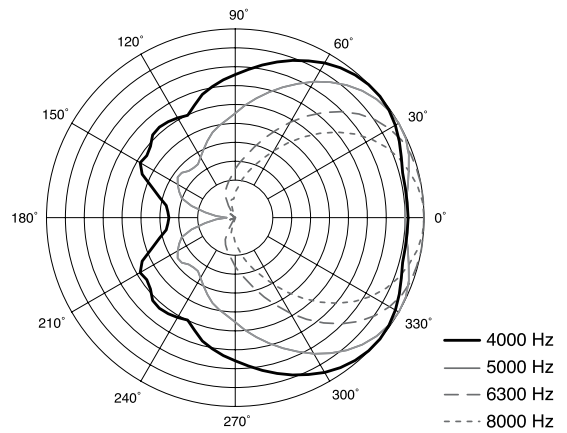
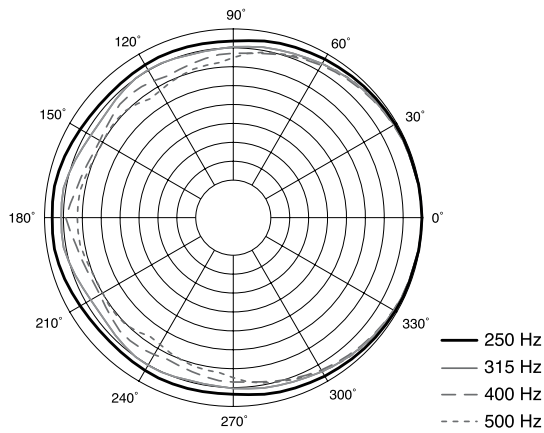
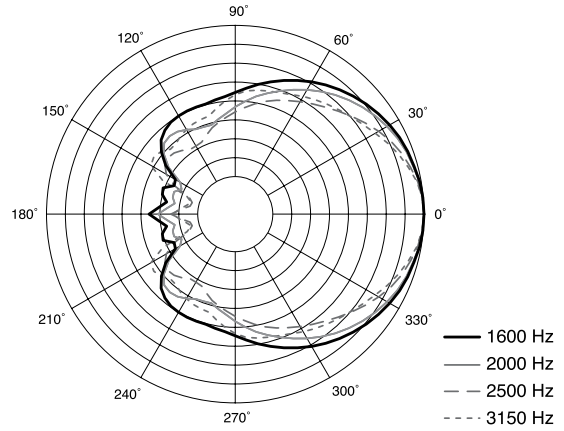
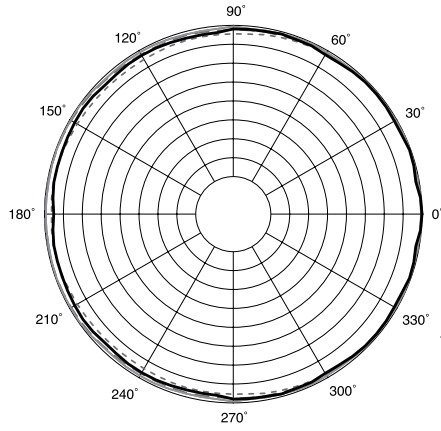
Operating Range	140 Hz to 17500 Hz	
Nominal Beamwidth	Horizontal	120°
	Vertical	30°
Axial Sensitivity (whole space SPL)	96 dB	140 Hz to 17500 Hz
Peak Sensitivity (whole space SPL)	102 dB	20 Hz to 20 kHz
	Input Impedance (ohms)	Nominal Minimum
	8	6.3 @ 500 Hz
Recommended High-Pass Filter	High Pass => 125 Hz, 24 dB/octave Butterworth	
Power Handling (preliminary)	150 W	35 V @ 8 ohms
	Calculated Maximum SPL (preliminary)	
	Average	Peak
	118 dB	124 dB

CLA37 VERTICAL POLARS



(Chart Scale = 3 dB / division)

CLA37 HORIZONTAL POLARS



(Chart Scale = 3 dB / division)

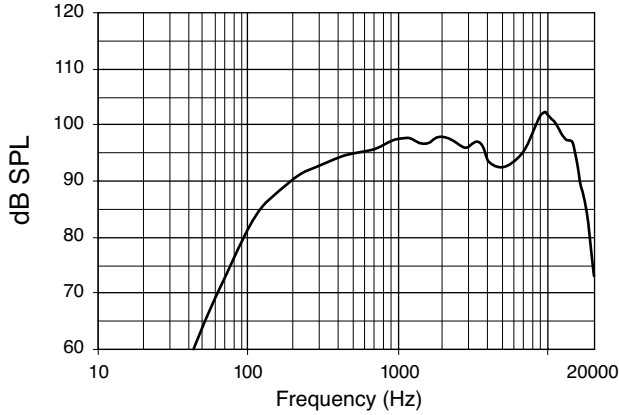


CLA37 FREQUENCY-SHADED COLUMN LOUDSPEAKER

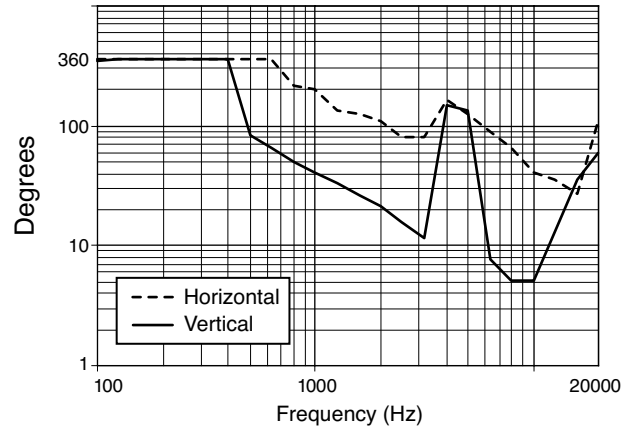
THAT WAS THEN. THIS IS EAW.

www.eaw.com

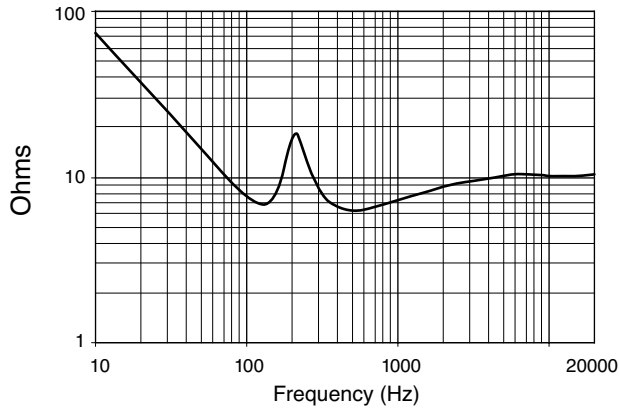
CLA37 FREQUENCY RESPONSE ON-AXIS



CLA37 BEAMWIDTH VS. FREQUENCY



CLA37 IMPEDANCE VS. FREQUENCY



CLA37 DIMENSIONS

