



VR62 COMPACT TWO-WAY SPEAKER

THAT WAS THEN. THIS IS EAW.

www.eaw.com

FEATURES

- Dual high output 6 inch LF, 1 inch exit HF
- Rotatable horn with 60° x 90° (nominal) HF beamwidth
- Mounting bracket included
- Optional 70 V / 100 V multi-tap transformer
- Integral passive crossover network allows economical single-amplifier powering

DESCRIPTION

The VR62 is engineered for superior sound and unobtrusive installation. Purpose-designed, dual 6-inch LF drivers enable the compact VR62 to match the output of competitive dual- 8-inch 2-way speakers. The rotatable horn makes beamwidth orientation independent of mounting direction, allowing the VR62 to be installed under balconies or on stage lips as easily as it can be mounted on walls or suspended from ceilings, using the included mounting bracket.

The cross-ply laminated birch enclosure is available in either black or white finish. A foam-backed powder-coated steel grill protects the driver. The entire loudspeaker is fully tested at the time of manufacture and is warranted to be free from defects in materials and workmanship for a period of five years from the date of purchase.



APPLICATIONS

- Under Balcony Fill
- Retail Environments
- Distributed Systems
- Theme Parks
- Stage Lip Fill
- Audiovisual Presentation
- Houses of Worship

SPECIFICATIONS

PRODUCT DATA

Model Name	VR62
Part Number	Black: 0010499 White: 0011350
File creation date	7/29/2004

SPECIFICATION SHEET TABULAR DATA

Descriptive Data	Ways	Type	Mode
	2-way	Full-Range	Single Amp

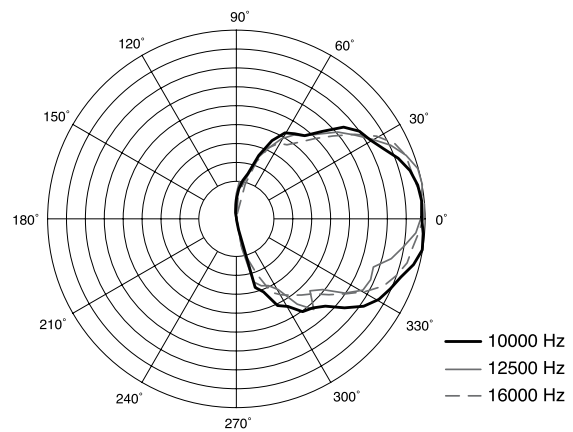
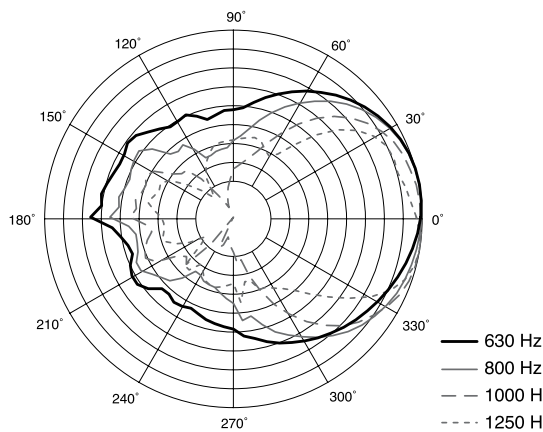
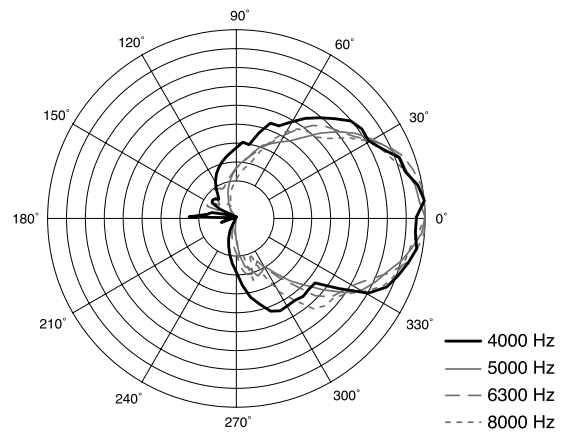
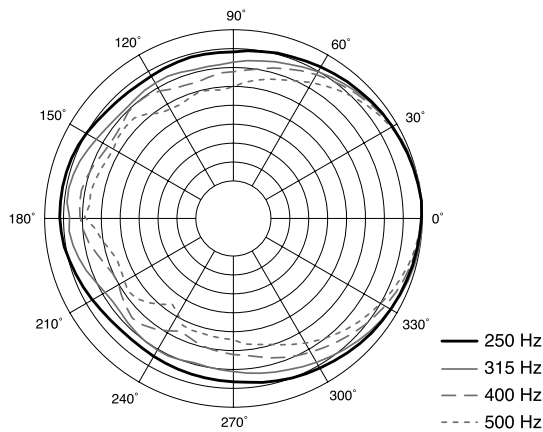
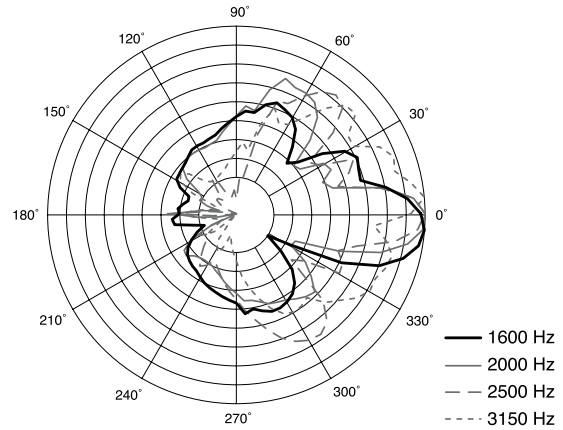
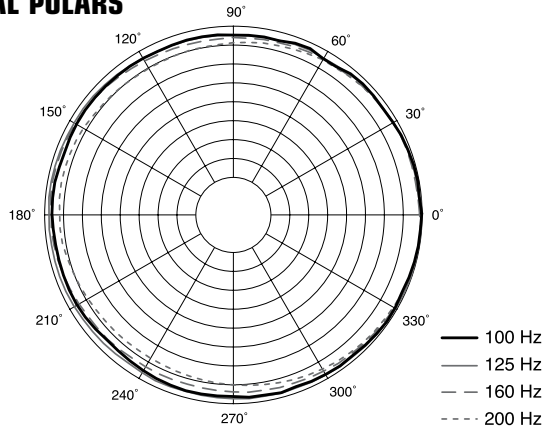
CONFIGURATION

Subsystem	Transducer	Loading
	LF	2x6 in cone — Sealed
	HF	1x1 in exit compression driver — Horn-loaded

PERFORMANCE

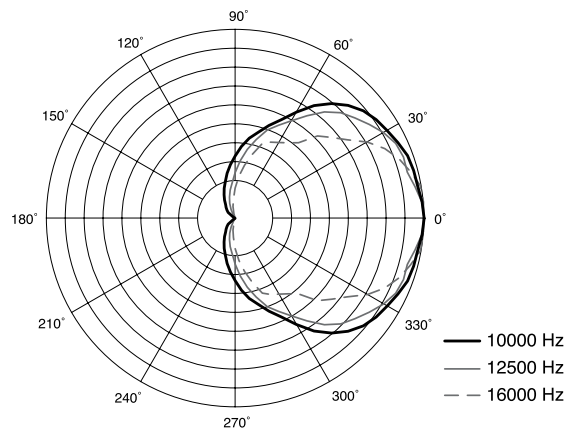
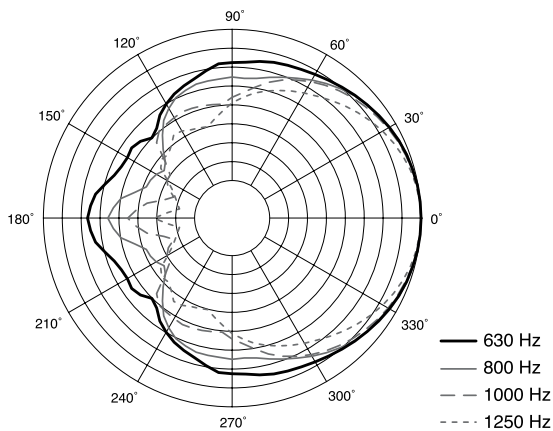
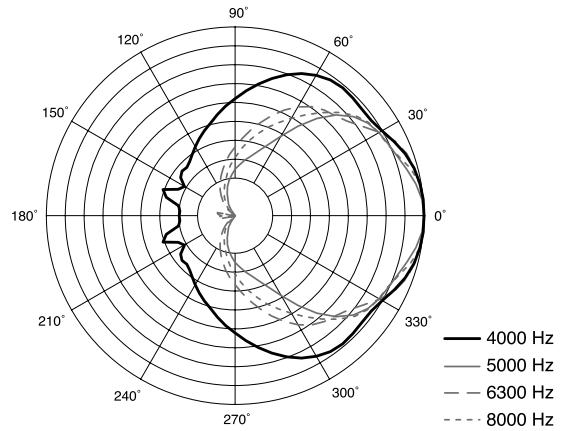
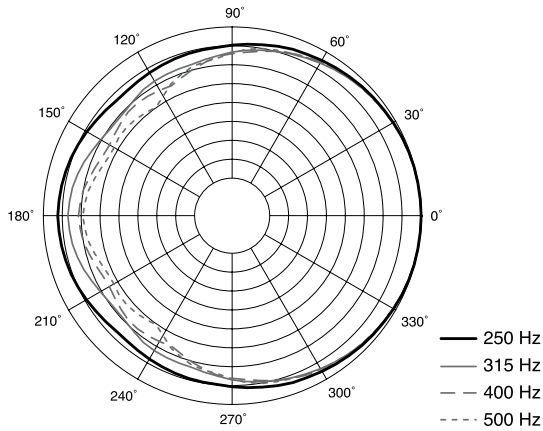
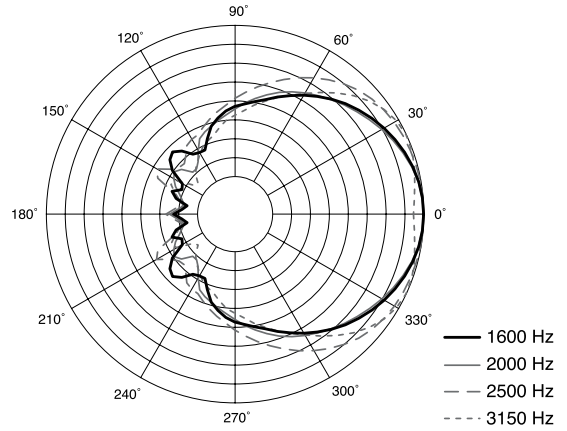
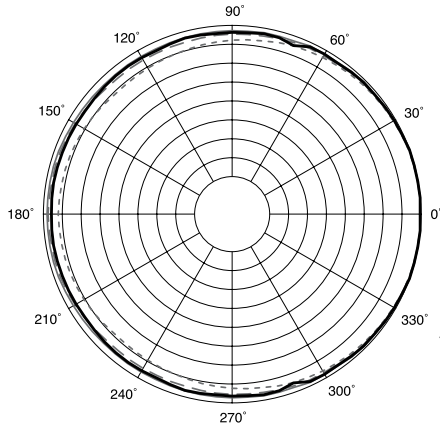
Operating Range	80 Hz to 20000 Hz	
Nominal Beamwidth (rotatable)	Horizontal	90°
	Vertical	60°
Axial Sensitivity (whole space SPL)	92 dB	80 Hz to 20000 Hz
Peak Sensitivity (whole space SPL)	96 dB	20 Hz to 20 kHz
Input Impedance (ohms) Nominal	Minimum	
	8	7.1 @ 225 Hz
Recommended High-Pass Filter	High Pass => 70 Hz, 24 dB/octave Butterworth	
Power Handling (preliminary)	250 W	45 V @ 8 ohms
Calculated Maximum SPL (preliminary)	Average	
	116 dB	Peak
		122 dB

VR62 VERTICAL POLARS



(Chart Scale = 3 dB / division)

VR62 HORIZONTAL POLARS



(Chart Scale = 3 dB / division)

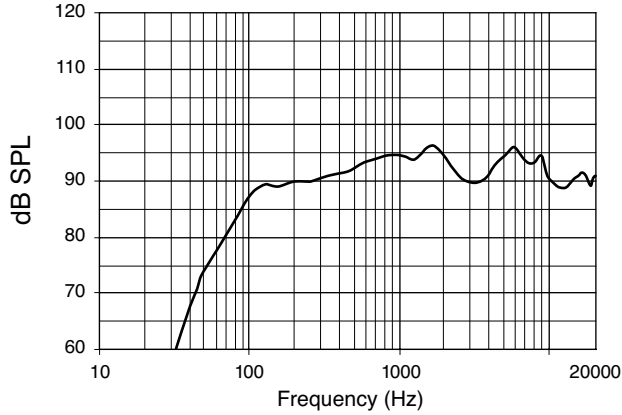


VR62 COMPACT TWO-WAY SPEAKER

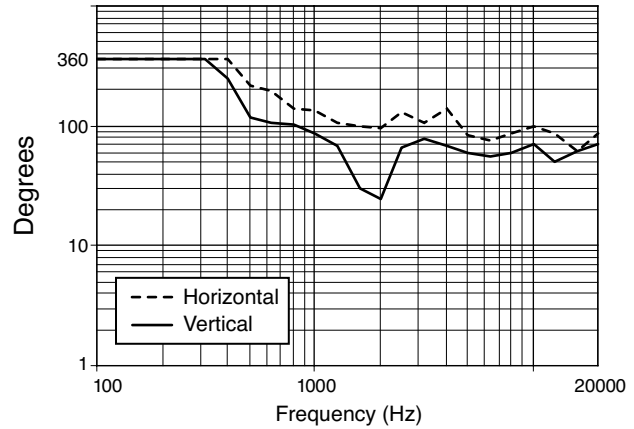
THAT WAS THEN. THIS IS EAW.

www.eaw.com

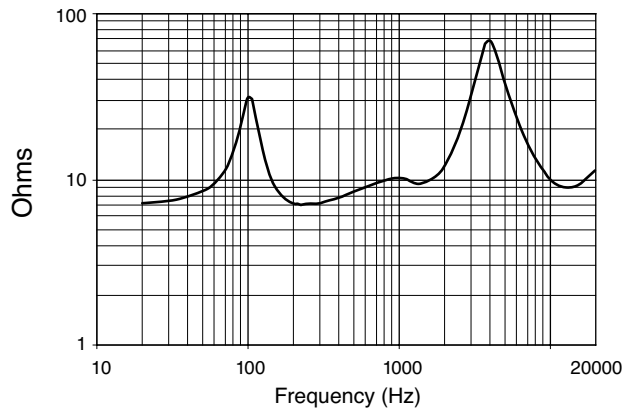
VR62 FREQUENCY RESPONSE ON-AXIS



VR62 BEAMWIDTH VS. FREQUENCY



VR62 IMPEDANCE VS. FREQUENCY



VR62 DIMENSIONS

